

# Single Unit Standoff Bracket

## Installation Instructions

Single Unit Standoff Bracket Part Number	109001376
Compatible Rinnai Tankless Water Heaters	For use with the following tankless water heater model series: RE, RU, RX, RXP, CX, CXP, and RUCS (Indoor units only)

### 1.0 Overview

The single unit standoff bracket anchors the tankless water heater (applicable models above) to the wall with 1.5 inches (38 mm) of clearance between the water heater and wall.

Figure 1 illustrates an installation with piping located behind the water heater and standoff bracket.

### 2.0 Items Inside Product Box

Before installation, please make sure all parts are located inside the product box. If any items are missing or damaged, contact your local dealer/distributor or contact Rinnai.

Item #	Item	Qty
1	Standoff Bracket (Top and Bottom)	2
2	Bolt 10-24	9
3	Lock-Washer Nut	5

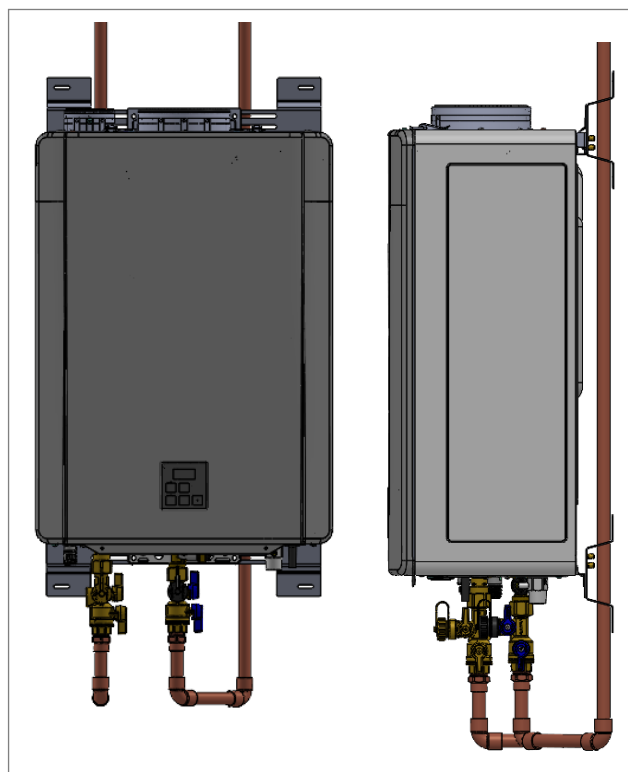


Figure 1: Installation with piping behind water heater and standoff bracket

### 3.0 You Will Need

#### Tools/Materials (Field-Supplied):

- Drill
- Level
- 5/16" Nut Driver
- 3/8" Wrench
- *Optional:* Wall Hanging Bracket (supplied with tankless water heater).
- *Optional:* Eight (8) screws for wall hanging bracket installation. Use appropriate screw for type of wall construction.



## 4.0 Instructions

### ➔ IMPORTANT

- For instructions on mounting the standoff bracket **with** a wall hanging bracket, see section 4.1.
- For instructions on mounting the standoff bracket **without** a wall hanging bracket, see section 4.2.

### 4.1 Mount Standoff Bracket **with** Wall Hanging Bracket

#### **Mount the Upper Standoff Bracket to the Wall**

##### You Will Need:

- Wall hanging bracket (purchased separately)
- Standoff bracket (supplied)
- Four (4) bolts (supplied)

##### Field-Supplied:

- Level
- Four (4) screws for mounting bracket installation. Use appropriate screw for type of wall construction.

##### Instructions:

1. Secure the wall hanging bracket to the standoff bracket using four (4) bolts (supplied).

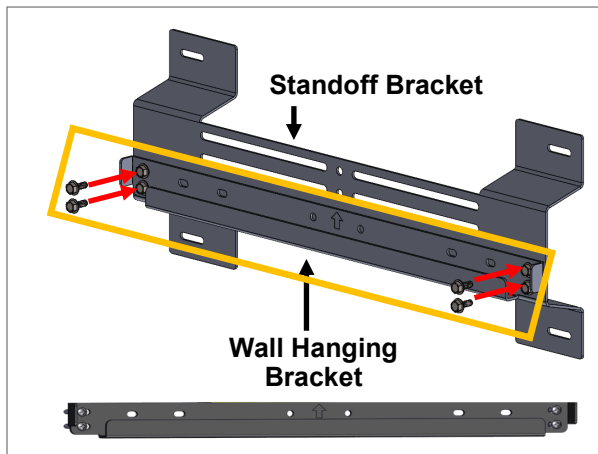


Figure 2: Secure the wall hanging bracket

2. Hold the standoff bracket up against the wall and use a level to make sure the bracket is even. Proper operation requires the water heater to be level.

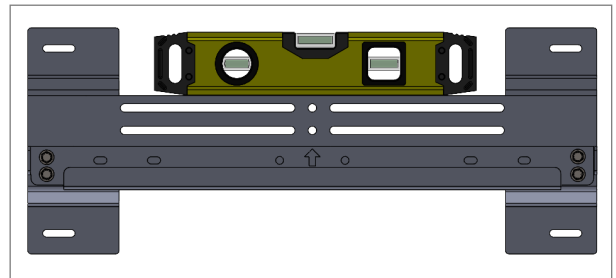


Figure 3: Level the bracket

3. Use four screws (field-supplied) to secure the standoff bracket to the wall (two screws on the left side and two screws on the right side). Use the appropriate screws for the wall construction to secure the standoff bracket to the wall between two studs.

**IMPORTANT:** Mounting hole locations are spaced to secure screws at the 16" center of framing studs.

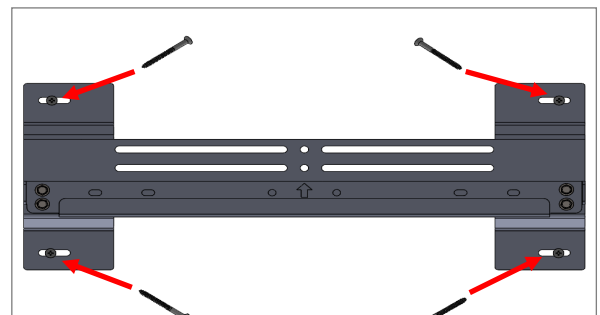


Figure 4: Secure the top standoff bracket

## Hang the Tankless Water Heater

### You Will Need:

- Rinnai Tankless Water Heater (purchased separately)
- Four (4) bolts and (4) nuts (supplied)
- **Field-Supplied:** Two (2) screws for mounting bracket installation. Use appropriate screw for type of wall construction.

### Instructions:

1. Secure the bottom standoff bracket to the bottom bracket of the tankless water heater using two of the supplied nuts and bolts.

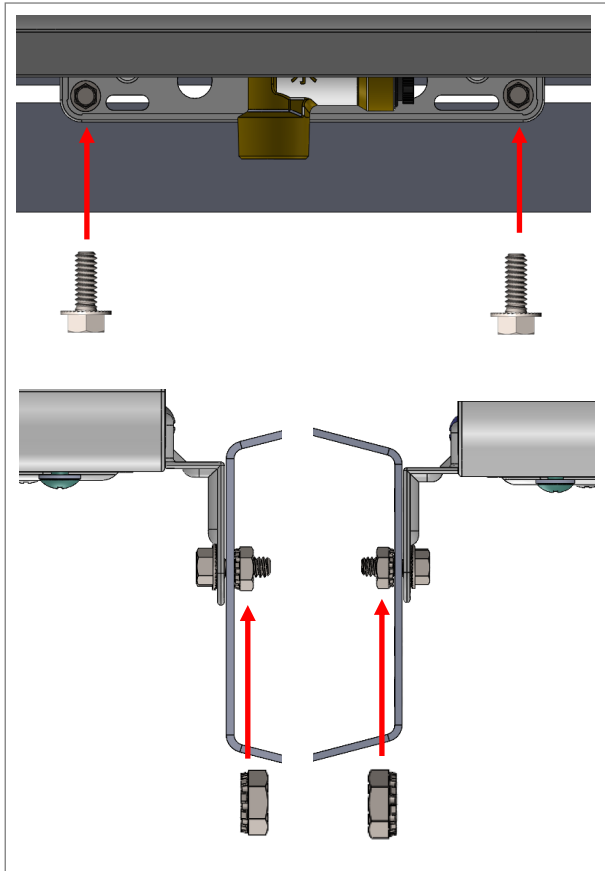


Figure 5: Securing the bottom bracket

2. Insert the top bracket into the wall mounting bracket. Make sure the wall mounting bracket is attached to the wall and can hold the weight of the water heater before you fully let go.

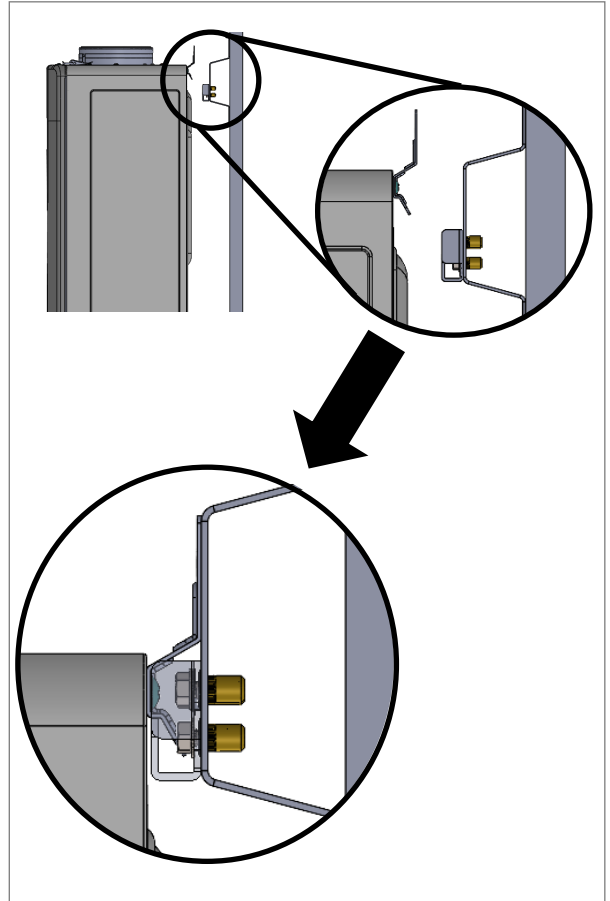
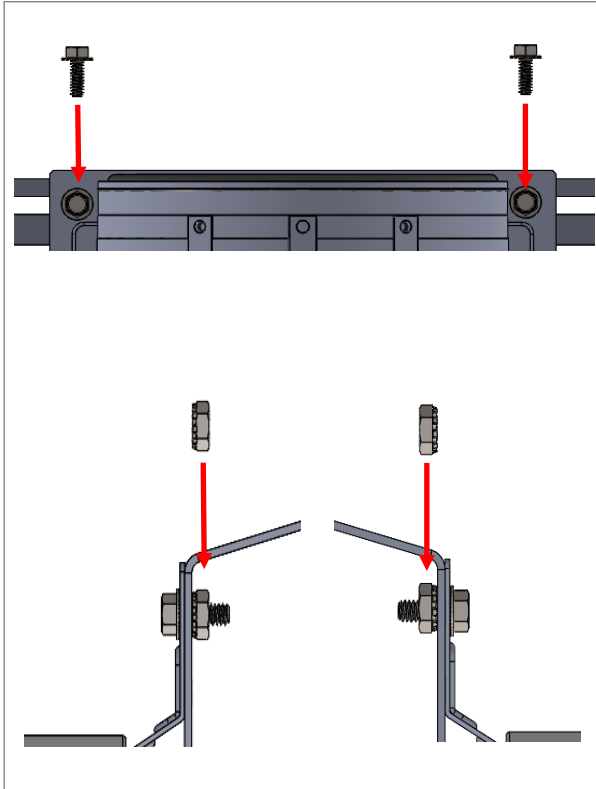


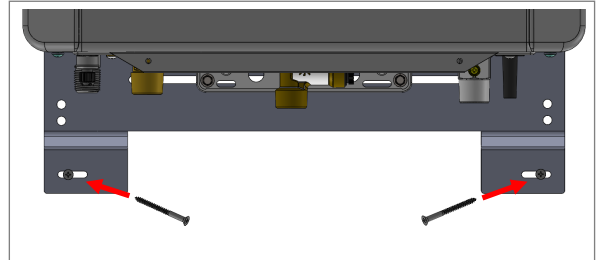
Figure 6: Hanging the water heater

- Secure the top bracket of the tankless water heater to the top standoff bracket using two of the supplied nuts and bolts.



*Figure 7: Secure water heater to top bracket*

- Use two screws (field-supplied) to secure the lower standoff bracket to the wall (one screw on the left side and one screw on the right side). Use the appropriate screws for the wall construction to secure the standoff bracket to the wall between two studs.



*Figure 8: Secure lower bracket to wall*

## 4.2 Mount Standoff Bracket without Wall Hanging Bracket

### Mount the Upper Standoff Bracket to the Wall

#### You Will Need:

- Standoff bracket (supplied)
- One (1) bolt and (1) nut (supplied)

#### Field-Supplied:

- Level
- Four (4) screws for standoff bracket installation. Use appropriate screw for type of wall construction.

#### Instructions:

1. Hold the standoff bracket up against the wall and use a level to make sure the bracket is even. Proper operation requires the water heater to be level.

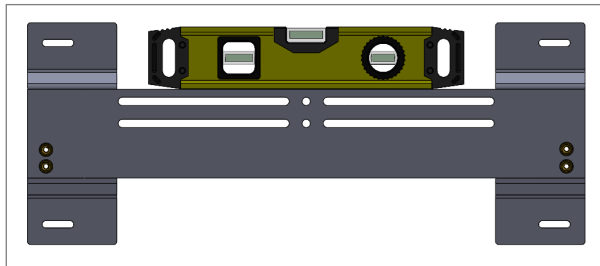


Figure 9: Level the standoff bracket

2. Use four screws to secure the standoff bracket to the wall (two screws on the left side and two screws on the right side). Use the appropriate screws for the wall construction to secure the standoff bracket to the wall between two studs.

**IMPORTANT:** Mounting hole locations are spaced to secure screws at the 16" center of framing studs.

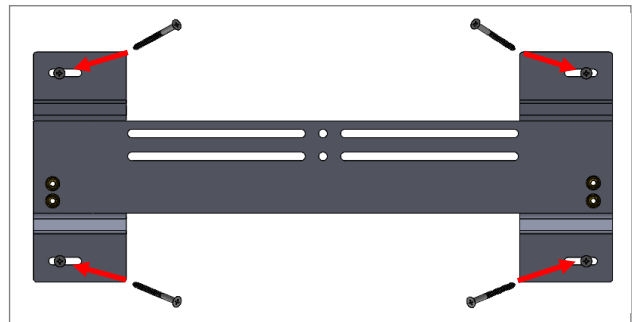


Figure 10: Secure the top standoff bracket

3. Insert one bolt through center hole and use one nut to secure bolt. Ensure to leave enough spacing for the water heater bracket center slot.

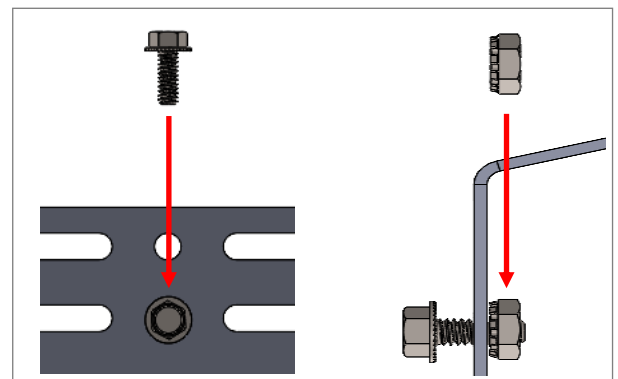


Figure 11: Inserting water heater hanging stud

## Hang the Tankless Water Heater

### You Will Need:

- Rinnai Tankless Water Heater (purchased separately)
- Four (4) bolts and nuts (supplied)

### Field-Supplied:

- Two (2) screws for standoff bracket installation. Use appropriate screw for type of wall construction.

### Instructions:

1. Secure the bottom standoff bracket to the bottom bracket of the tankless water heater using two of the supplied nuts and bolts.

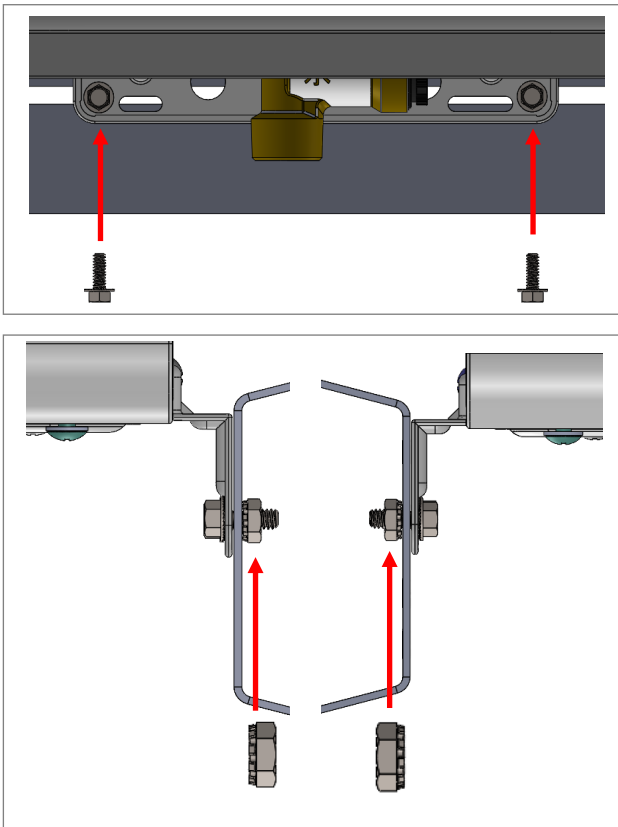


Figure 12: Securing the bottom bracket

2. Align middle slot on the upper tankless water heater bracket with the secured bolt attached to the standoff bracket.

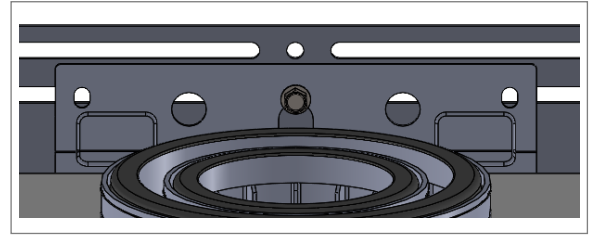


Figure 13: Hanging the water heater

3. Secure the top bracket of the tankless water heater to the top standoff bracket using two of the supplied nuts and bolts.

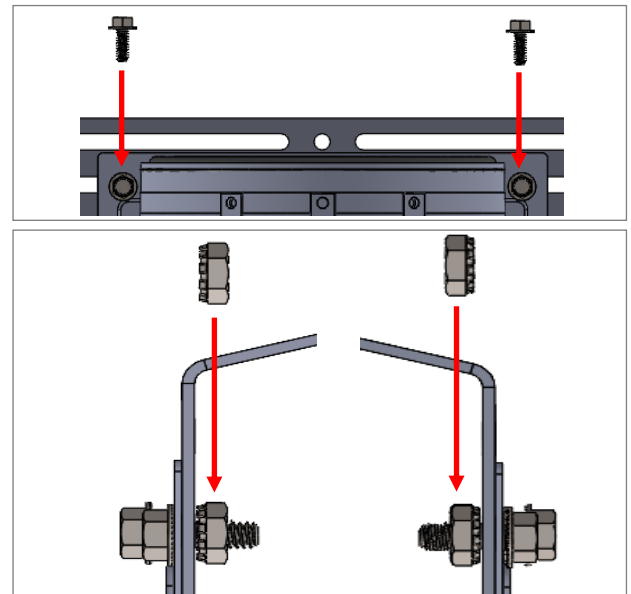


Figure 14: Secure water heater to top bracket

4. Use two screws (field-supplied) to secure the standoff bracket to the wall (one screw on the left side and one screw on the right side). Use the appropriate screws for the wall construction to secure the standoff bracket to the wall between two studs.

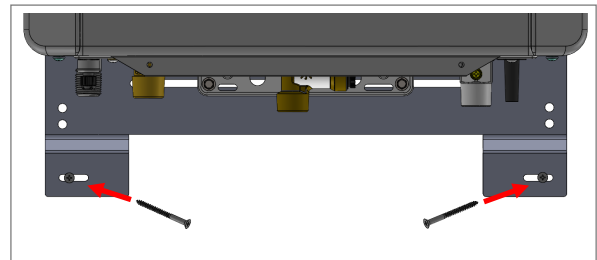


Figure 15: Secure lower bracket to wall